

FIREBAG®

Thermally Activated Shut-off for Natural, Propane, & Butane Gas Metering Applications



1/2" to 2" NPT Connections,
Male x Female or Female x Female

How it Works

The **FireBag®** automatically shuts off gas supply in the event of a fire. When the ambient temperature reaches 203°F to 212°F (95°C to 100°C) the fusible metal alloy that keeps plug retracted melts and the spring pressure pushes the plug against the seat to close it completely. The **FireBag®** closes within 60 seconds, as per DIN 3586. No fire or heat detectors are required to automatically stop gas flow. **Simple, Effective Protection!**

Normal Operation



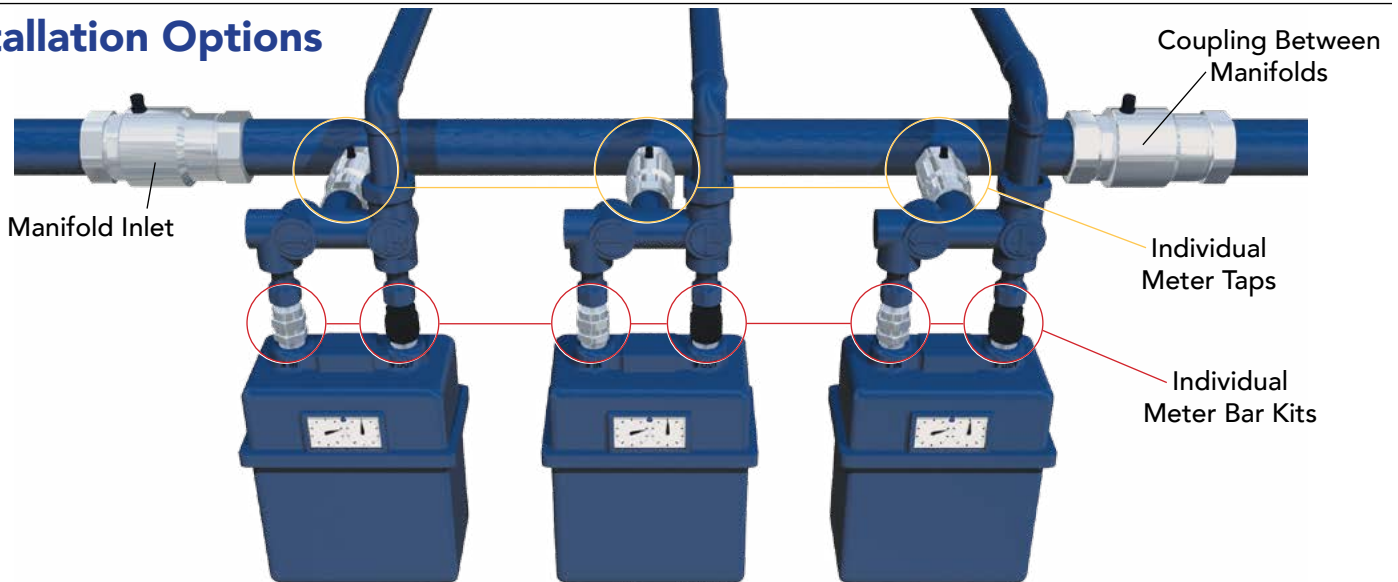
Plug held open by
fusible metal alloy.

Emergency Shut-off Triggered



Alloy melts and plug is
pushed closed by spring.

Installation Options



TECO AMERICAS
INNOVATING GAS SAFETY

WalkerTechnical
Sales Inc.